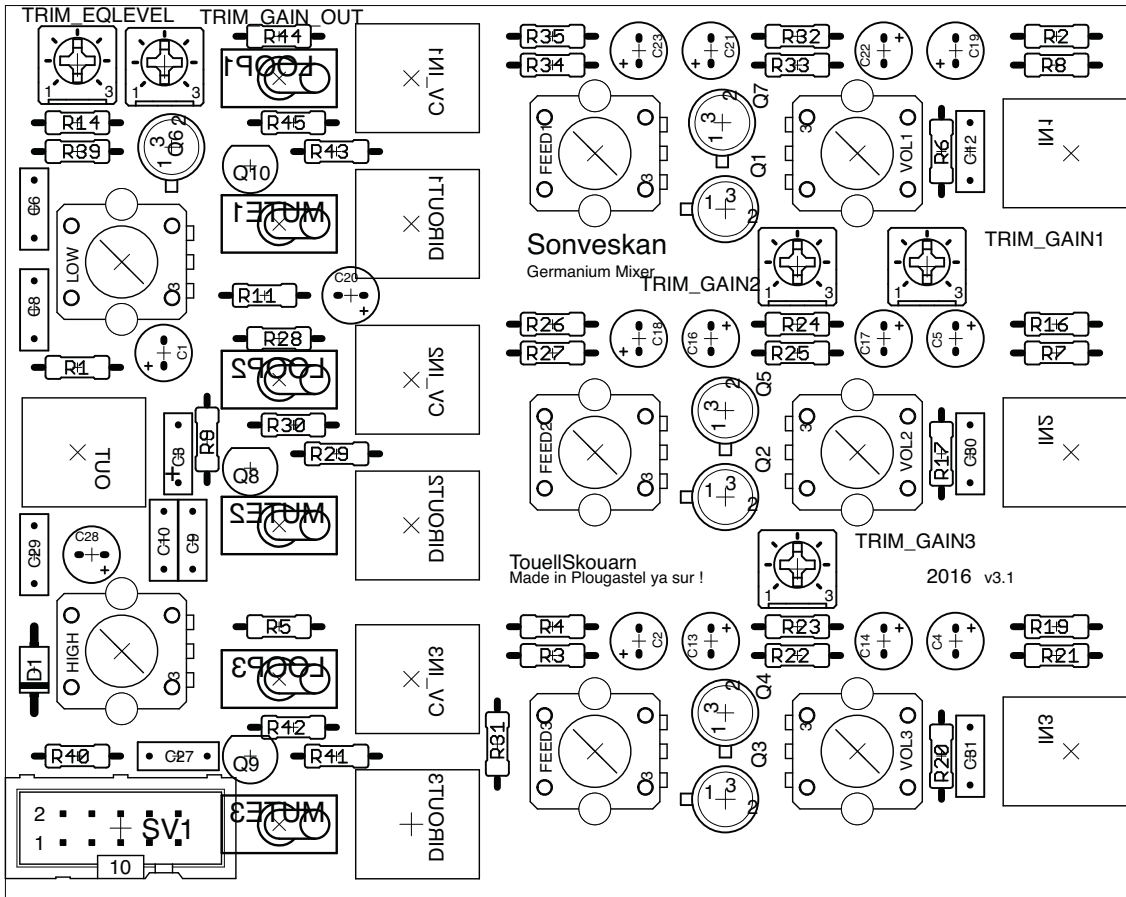


TouellSkouarn

Sonveskañ Kit



soldering_order

Diodes

1 1N4007 D1

Resistors

1 10 R40
 3 470 R30, R42, R45
 1 680 R39
 3 1,5k R3, R27, R34
 3 3,9k R4, R26, R35
 3 4,7k R7, R8, R21
 1 10k R9
 1 15k R14
 3 22k R6, R17, R20
 3 91k R22, R25, R33
 2 100k R1, R11
 4 470k R2, R5, R16, R19
 3 220k R23, R24, R32
 3 300k R28, R31, R44
 3 1Mo R29, R41, R43

Plastic / Ceramic Capacitors

1 47pf C27
 1 0,002uF C10
 1 0,02uF C6
 1 0,065nF C9

soldering_order

4 0,1uF C12, C29, C30, C31
 1 0,2uF C8

Plastic / Ceramic Capacitors

16 47uF C1, C2, C3, C4, C5, C13,
 C14, C16, C17, C18, C19, C20, C21, C22, C23, C28

Transistors

7GermTransistor Q1,Q2, Q3, Q4, Q5, Q6, Q7
 3 . FET BF256 Q8, Q9, Q10

Pots/Trim

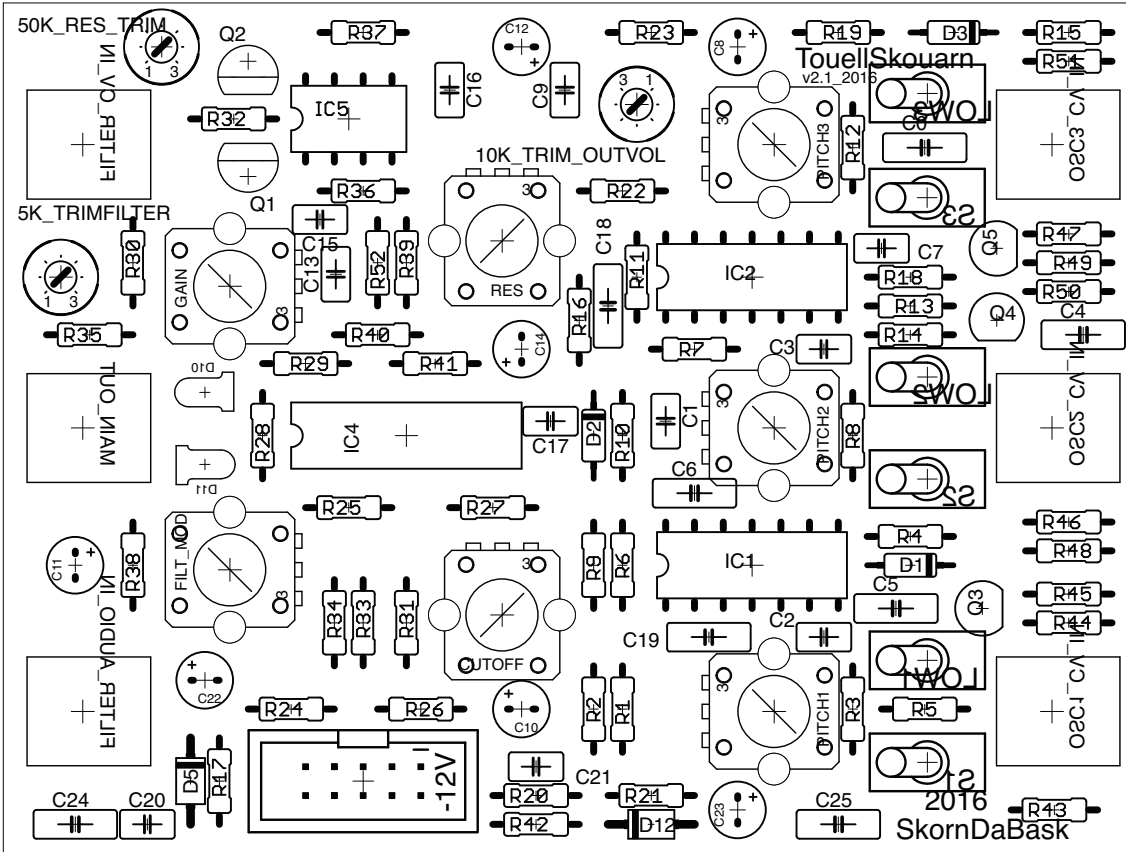
5 10k TRIM
 3 1Mo POT_FEED1, FEED2, FEED3
 3 100k POT_VOL1, VOL2, VOL3
 2 50k POT_HIGH, LOW

Jacks

10Jacks socket

TouellSkouarn

Skorn da Bask Kit



soldering order

Resistors

- 2 10 R17, R42
- 5 220 R19, R25, R26, R39, R40
- 3 470 R45, R50, R51
- 3 1k R23, R5, R35
- 2 4k7 R37, R38
- 12 10k R2, R7, R12, R22, R24, R27, R28, R29, R30, R31, R34, R41
- 3 33k R4, R9, R16
- 5 47k R1, R6, R11, R20, R21
- 8 100k R5, R10, R13, R14, R15, R18, R32, R33
- 2 220k R3, R8
- 3 300k R43, R46, R47
- 1 470k R36
- 3 1Mo R44, R48, R49

Diodes

- 2 1N4007 D5, D12
- 3 1N4148 D1, D2, D3
- 2 ... LED3MM D10, D11

ICs

- 1 . LM13700N IC4
- 1 TL072 IC5
- 2 TL074 IC1, IC2

Capacitors

- 2 39pf C7, C13
- 3 1nF C9, C16, C17
- 6 4n7 C1, C2, C3, C15, C20, C21
- 3 100nF C0, C18, C19,
- 2 6,5nF C24, C25
- 1 0,47uF C4
- 2 1uF C5, C6
- 7 47uF C8, C10, C11, C12, C14, C22, C23

Transistors

- 2 BC560 Q1, Q2
- 3 BF256 Q3, Q4, Q5

Pots/Trims

- 7 ... Pot 100k POT_9MM
- 1 ... Trim100k 100K_TRIM_OUTVOL
- 1 ... Trim 50k TRIM_50K_RES_TRIM
- 1 Trim 5k TRIM_5K_TRIMFILTER

Jacks/Switches

- 6 .. JACK_3.5 PCB mount 3.5 mm jack
- 6 ... Switches LOW1, LOW2, LOW3, S1, S2, S3