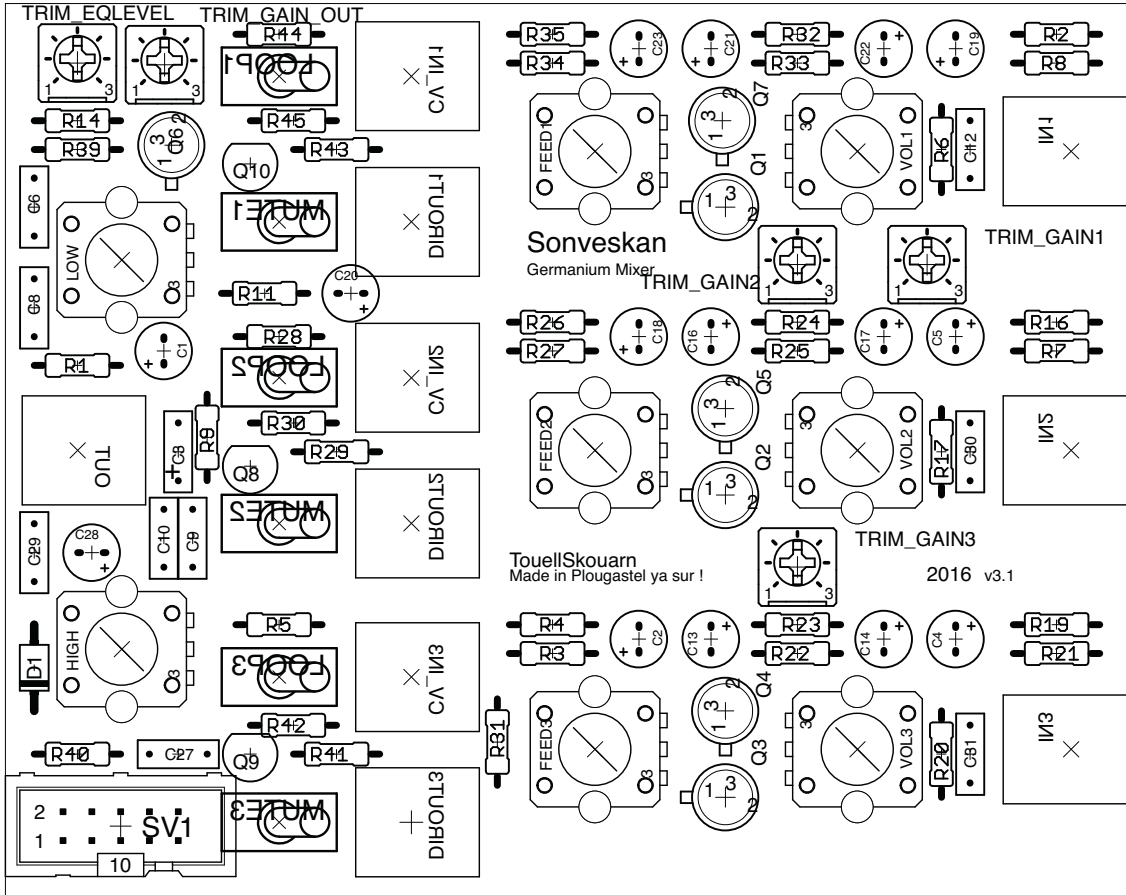


# TouellSkouarn

## Sonveskañ Kit



soldering\_order

### Diodes

1 . . . . 1N4007 . . . . D1

### Resistors

1 . . . . . 10 . . . . . R40  
 3 . . . . . 470 . . . . . R30, R42, R45  
 1 . . . . . 680 . . . . . R39  
 3 . . . . . 1,5k . . . . . R3, R27, R34  
 3 . . . . . 3,9k . . . . . R4, R26, R35  
 3 . . . . . 4,7k . . . . . R7, R8, R21  
 1 . . . . . 10k . . . . . R9  
 1 . . . . . 15k . . . . . R14  
 3 . . . . . 22k . . . . . R6, R17, R20  
 3 . . . . . 91k . . . . . R22, R25, R33  
 2 . . . . . 100k . . . . . R1, R11  
 4 . . . . . 470k . . . . . R2, R5, R16, R19  
 3 . . . . . 220k . . . . . R23, R24, R32  
 3 . . . . . 300k . . . . . R28, R31, R44  
 3 . . . . . 1Mo . . . . . R29, R41, R43

### Plastic / Ceramic Capacitors

1 . . . . . 47pf . . . . . C27  
 1 . . . . . 0,002uF . . . . C10  
 1 . . . . . 0,02uF . . . . C6  
 1 . . . . . 0,065nF . . . . C9

soldering\_order

4 . . . . . 0,1uF . . . . . C12, C29, C30, C31  
 1 . . . . . 0,2uF . . . . . C8

### Plastic / Ceramic Capacitors

16 . . . . . 47uF . . . . . C1, C2, C3, C4, C5, C13,  
 C14, C16, C17, C18, C19, C20, C21, C22, C23, C28

### Transistors

7GermTransistor . . . . Q1,Q2, Q3, Q4, Q5, Q6, Q7  
 3 . FET BF256 . . . . . Q8, Q9, Q10

### Pots/Trim

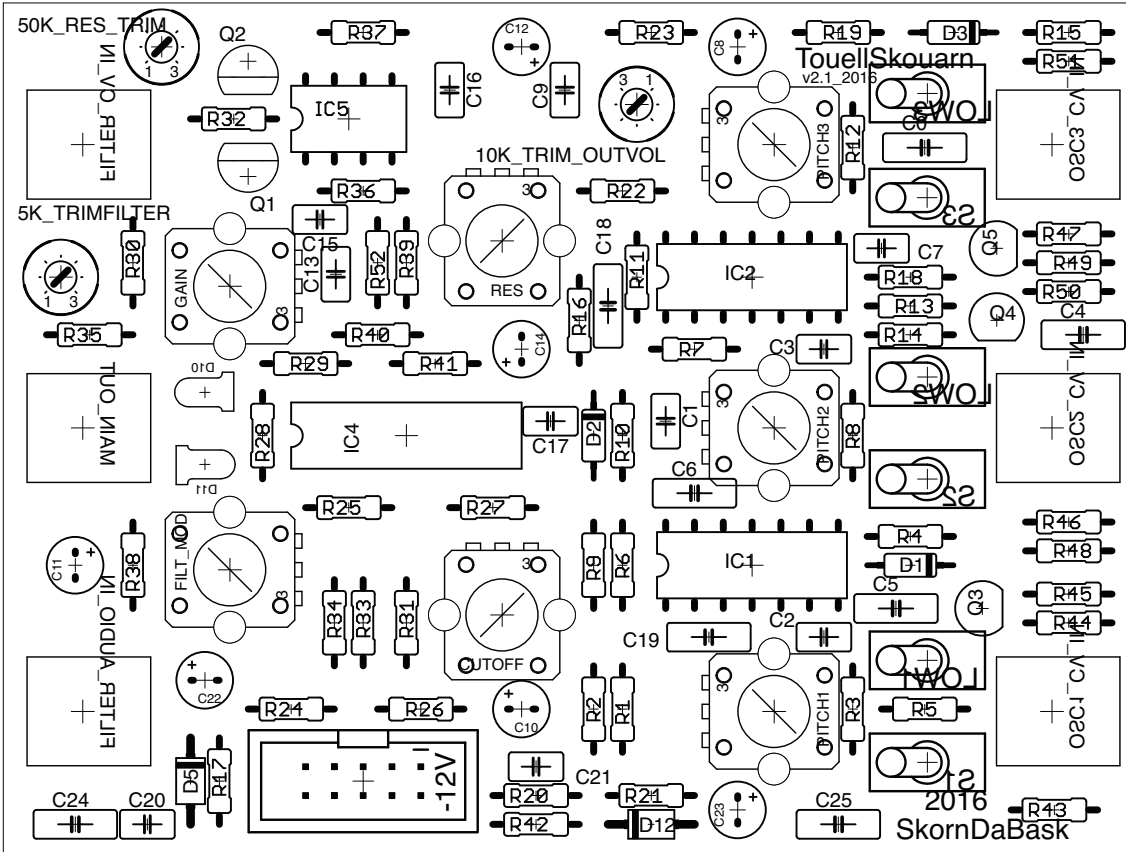
5 . . . . . 10k . . . . . TRIM  
 3 . . . . . 1Mo . . . . . POT\_FEED1, FEED2, FEED3  
 3 . . . . . 100k . . . . . POT\_VOL1, VOL2, VOL3  
 2 . . . . . 50k . . . . . POT\_HIGH, LOW

### Jacks

10Jacks socket

# TouellSkouarn

## Skorn da Bask Kit



soldering order

### Resistors

- 2 ..... 10 ..... R17, R42
- 5 ..... 220 ..... R19, R25, R26, R39, R40
- 3 ..... 470 ..... R45, R50, R51
- 3 ..... 1k ..... R23, R5, R35
- 2 ..... 4k7 ..... R37, R38
- 12 ..... 10k ..... R2, R7, R12, R22, R24, R27,  
R28, R29, R30, R31, R34, R41
- 3 ..... 33k ..... R4, R9, R16
- 5 ..... 47k ..... R1, R6, R11, R20, R21
- 8 ..... 100k ..... R5, R10, R13, R14, R15, R18,  
R32, R33
- 2 ..... 220k ..... R3, R8
- 3 ..... 300k ..... R43, R46, R47
- 1 ..... 470k ..... R36
- 3 ..... 1Mo ..... R44, R48, R49

### Diodes

- 2 .... 1N4007 ..... D5, D12
- 3 .... 1N4148 ..... D1, D2, D3
- 2 ... LED3MM ..... D10, D11

### ICs

- 1 . LM13700N ..... IC4
- 1 ..... TL072 ..... IC5
- 2 ..... TL074 ..... IC1, IC2

### Capacitors

- 2 ..... 39pf ..... C7, C13
- 3 ..... 1nF ..... C9, C16, C17
- 6 ..... 4n7 ..... C1, C2, C3, C15, C20, C21
- 3 ..... 100nF ..... C0, C18, C19,
- 2 ..... 6,5nF ..... C24, C25
- 1 ..... 0,47uF ..... C4
- 2 ..... 1uF ..... C5, C6
- 7 ..... 47uF ..... C8, C10, C11, C12, C14, C22,  
C23

### Transistors

- 2 ..... BC560 ..... Q1, Q2
- 3 ..... BF256 ..... Q3, Q4, Q5

### Pots/Trims

- 7 ... Pot 100k ..... POT\_9MM
- 1 ... Trim100k ..... 100K\_TRIM\_OUTVOL
- 1 ... Trim 50k ..... TRIM\_50K\_RES\_TRIM
- 1 ..... Trim 5k ..... TRIM\_5K\_TRIMFILTER

### Jacks/Switches

- 6 .. JACK\_3.5 ..... PCB mount 3.5 mm jack
- 6 ... Switches ..... LOW1, LOW2, LOW3, S1, S2,  
S3