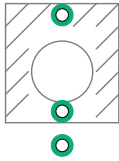


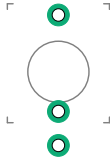
# Skorn Da Bask

Drone, Filter & Abstract Rythm Generator

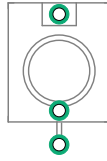




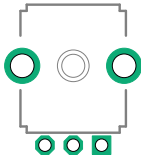
Stereo Jack



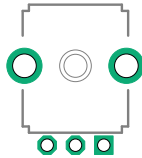
Mono Jack



Mono Jack



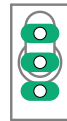
Single Pot



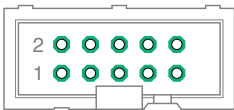
Dual Pot



Switch DPDT



Switch SPDT



Power Socket



Power Pin Header



Resistor



Capacitor



Diode



Led 3mm



Trimmer

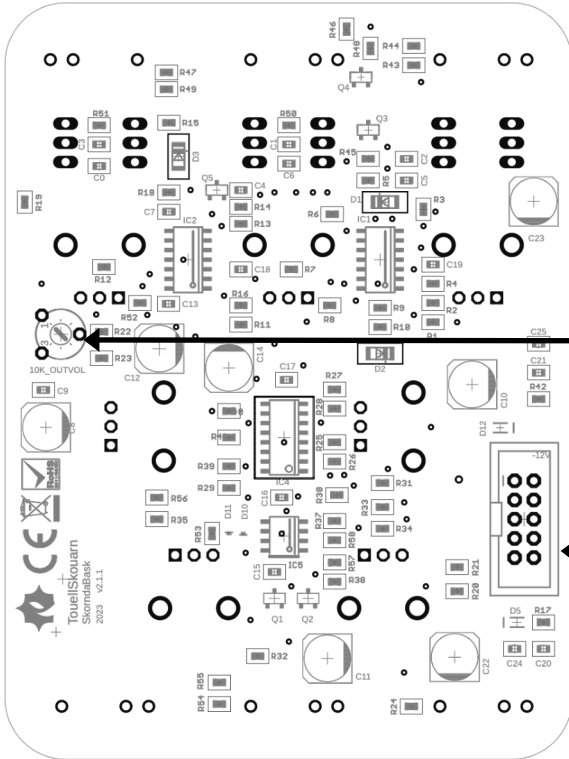


Trimmer



Transistor

TOP



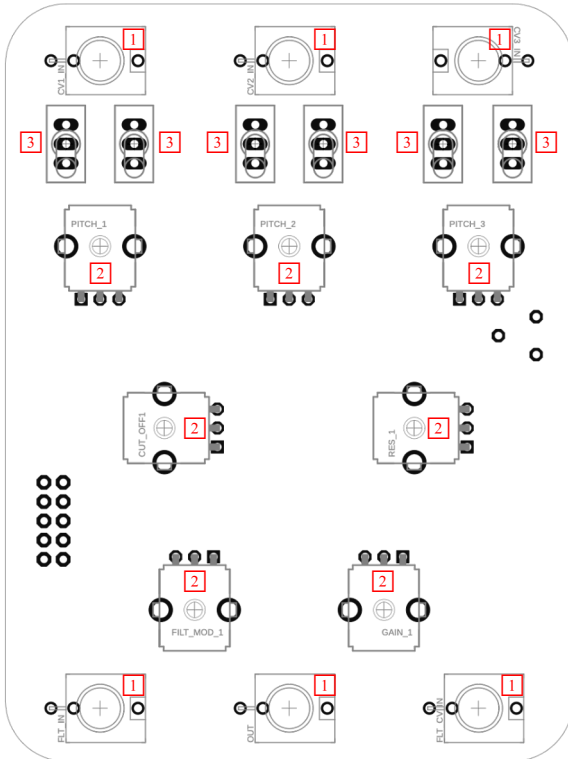
Trimmer.....10k

POWER.....2X5 Pin Header  
- indicate the -12v Rail



**BOTTOM**

Soldering order



- 1 ..... 6 X Mono Jacks (black)
- 2 ..... 7 X 100k Pot
- 3 ..... 6 X SPDT Switch

Each SPDT Switch has 2 nuts and a washer. Remove them all, then place one nut on the SPDT before putting the face plate in place, then use the other one to maintain it on the face plate.

When the module is completely built, plug the output jack ( Diskas Aodio) into your sound system output.

Put the left switches of each oscillator to the bottom position and the right ones to the top position and the pitch knobs at 2 o'clock minimum.

Adjust the **trimmer** until you hear the sound at the volume you like while tweaking the pitch knobs.