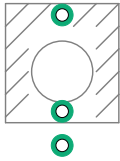


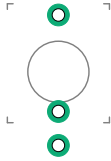
Sonveskañ

Germanium Preamp Feedbacker Mixer

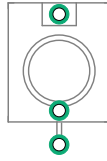




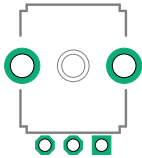
Stereo Jack



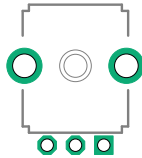
Mono Jack



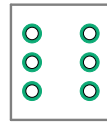
Mono Jack



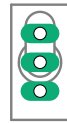
Mono Pot



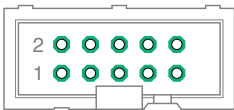
Stereo Pot



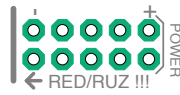
Switch DPDT



Switch SPDT



Power Socket



Power Pin Header



Resistor



Capacitor



Diode



Led 3mm

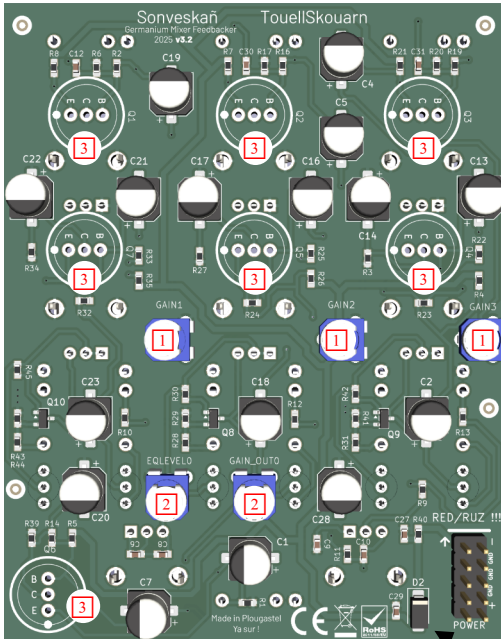


Trimmer



Transistor

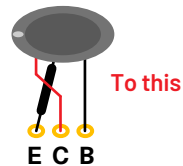
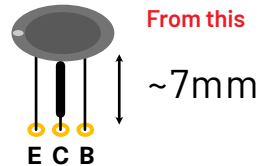
TOP



- 1 3 X 100k (104) or 3 X 500k (504) Trimmer
- 2 2X 10k Trimmer (103)
- 3 7 X PNP Transistors

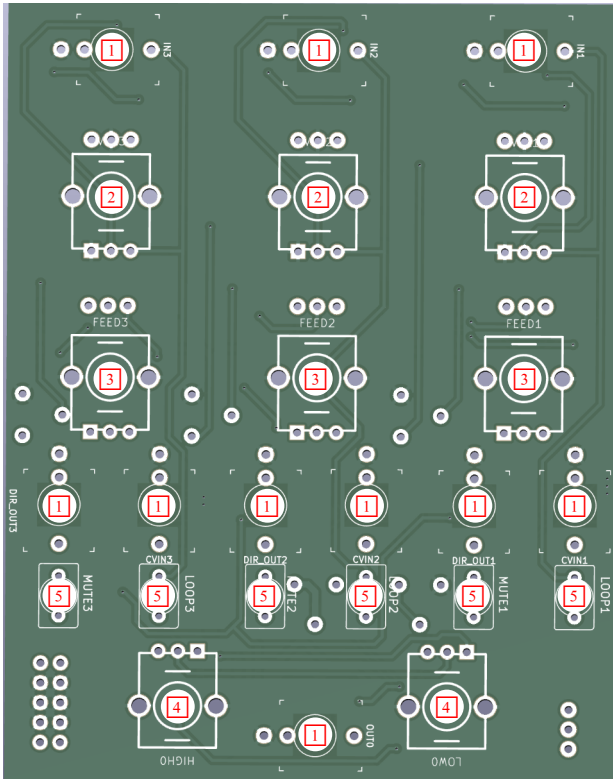


There is an error on the pcb 3.2 and E & C have been inverted. So you have to bend the Transistor legs like this :



POWER.....2X5 Pin Header
- indicate the -12v Rail

BOTTOM



- 1** 10 X Mono Jacks
- 2** 3 X 100k pots
- 3** 3 X 1M pots
- 4** 2 X 50kB pots
- 5** 6 X Red SPDT Switches

Each SPDT Switch has 2 nuts and a washer. Remove them all, then place one nut on the SPDT before putting the face plate in place, then use the other one to maintain it on the face plate.